

Albico Ceramic Basin
SBC-208



Albico Ceramic Basin

415x415

SBC-208

Classic white vitreous china basin that complements a range of bathroom décors.

This vanity inset basin can be teamed with a mixer tap. Basin is secured to bench-top with acetic cured silicone sealant.

A chrome pop-up plug and waste is available as an option to complement the design of the basin. This unit is suitable for general purpose domestic applications.

Part no: SBC-208 (1 taphole), SBC-208-3T (3 taphole)

Tap holes: 1 or 3 tapholes.

Waste outlet: Waste hole suitable for use with 40mm waste with overflow.

Bowl capacity: 6 litres.

Overflow: Standard with overflow.

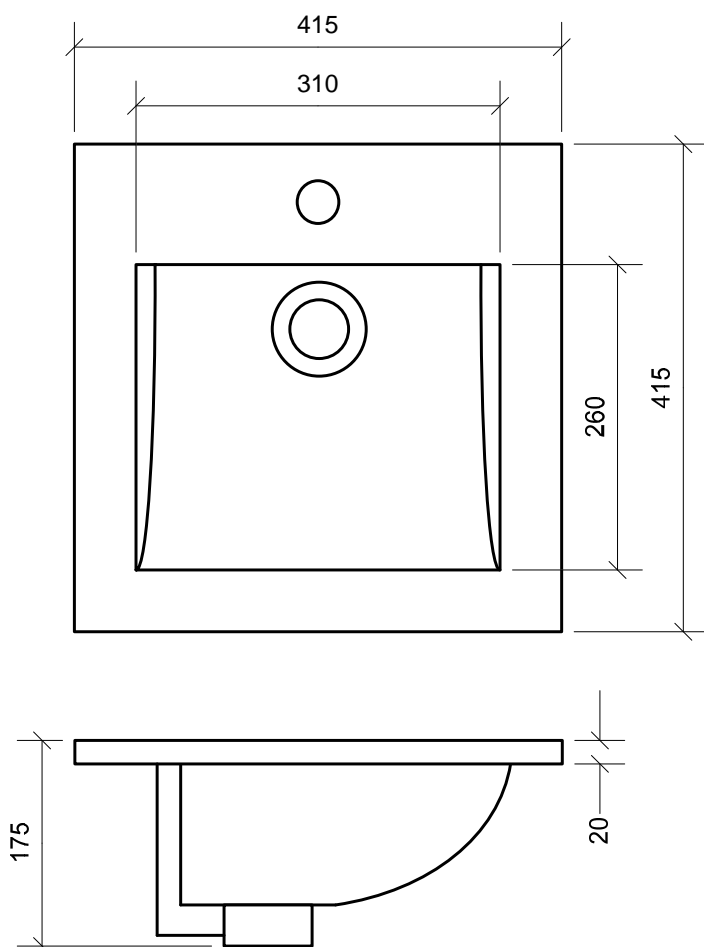
Fixing: Use of acetic cured silicone sealant is recommended to fix basin to the benchtop. **Epoxy type adhesives must not be used.**

Cleaning: Do not use any abrasive cleaners, liquids or pastes. Clean with damp cloth.

Colours: White.

Material: Vitreous china.

Dimensions: All dimensions in millimetres are nominal and subject to normal ceramic manufacturing variation of ± 2 -5mm. Specifications may vary without notice as part of our continuous improvement policy.



Note: Due to normal variation in all ceramic products, the actual basin should be used to verify cutout.

Use acetic cured silicone sealant to fix basin to benchtop.

Epoxy type adhesives must not be used.