

SKS-007 (SKS-45LO) 45 litre laundry inset tub

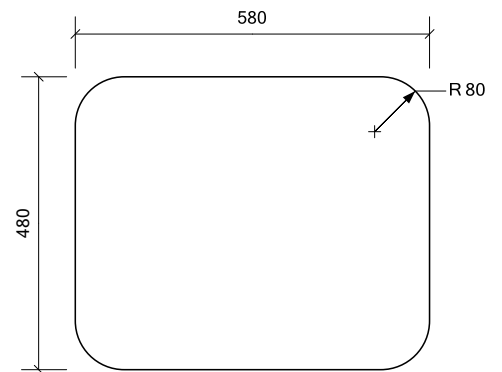
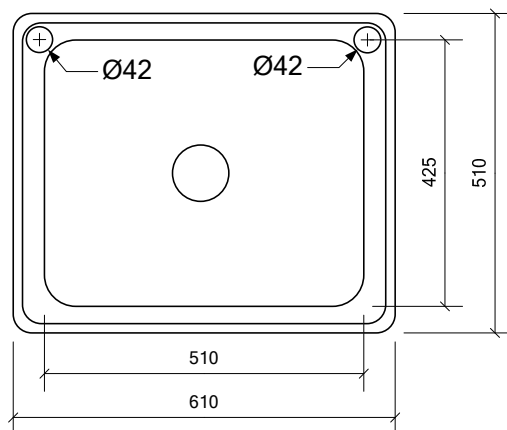
- Dimensions: 610x510x240mm
- Tap holes: 42mm taphole on left and right hand side of bowl.
- Rinse bypass included as standard and can be fitted to left or right hand of tub.
- 0.8mm gauge stainless steel
- Grade 304 commercial grade stainless steel
- Supplied with sink clips, seal, designer basket waste, cutout template and rinse bypass kit.

Ordering information:

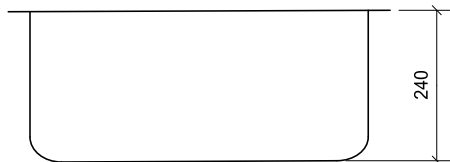
- Order p/n: **SKS-007**
- Optional overflow version available: order p/n: **SKS-45LO**



All dimensions in millimetres and subject to normal manufacturing variation.
Specifications may vary without notice as part of our continuous improvement policy.



SKS-007 - cutout template



Optional overflow version



Available with overflow & bypass:
order p/n: **SKS-45LO**

Accessories / spares



SKA-004 114mm
Basket waste.
(supplied)



SKA-007-BK
Bypass kit
(supplied)



SKA-008
overflow basket waste
(supplied with SKS-45LO)