



**LIMNI**  
**Wall Faced Vitreous China Toilet Suite**



ref:	DS-STO-11
issue:	1.1
date:	Jul 2011

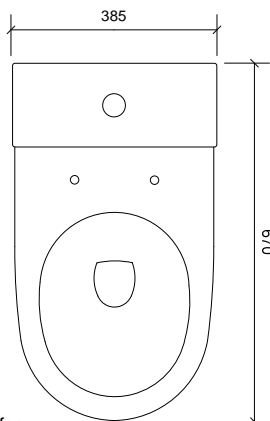
# LIMNI

## Wall Faced Round Vitreous China Toilet Suite

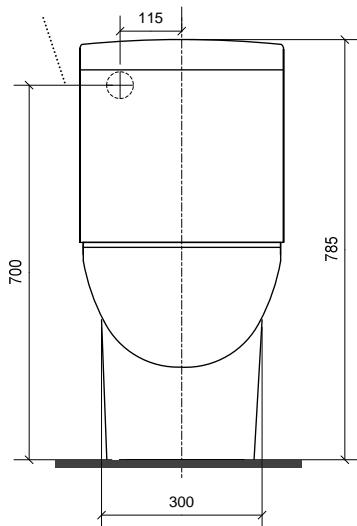
Fully integrated 4.5/3 litre dual flush wall faced toilet suite featuring smooth sides. Supplied with removable soft close plastic seat and hinges.

Designed for maximum flexibility with left or right hand bottom entry or optional concealed back-entry plumbing. The variable set-out connector system allows for adjustable setout from 90mm to 190mm. Ideal for new or renovation applications.

- Order no:** **STO-11** (bottom entry) ; **STO-11-BE**(concealed back entry)
- Cistern:** Vitreous china free fitting rounded design and left or right bottom entry inlet points (available with optional concealed Back-Entry inlet). WELS S370
- Pan:** Wall faced close coupled vitreous china pan with box flushing rim. WELS HDC370P
- Traps:** Universal trap, suitable for S or P trap installations
- Seat:** Soft close plastic seat, removable.
- WELS:** 4 star rating, 4.5/3 litre flush. (Reg: R001287C)
- Set-out:** Variable 90-190mm using supplied connector. 150mm recommended.
- Fixing:** Pan may be bedded with cement base or using silicone sealant and brackets. Cistern is fixed directly to pan without the need for wall fixing.
- Cleaning:** Do not use any abrasive cleaners, liquids or pastes. Clean with damp cloth.
- Colours:** White.
- Dimensions:** All dimensions in millimetres are nominal and subject to normal ceramic manufacturing variations. Specifications may vary without notice as part of our continuous improvement policy.



Setout position for 1/2" B.S.P. nipple



**Note:** All height dimensions to underside of pan, make allowance for bedding.

**Bedding:** Fix pan to floor using a sand cement mixture of 3:1 to a depth of 60mm. Do not use lime or fast drying cement.

**Bracket fixing:** The pan should be bedded with an acetic cured silicone sealant and fixed with the bracket supplied.

