

# PLATI SBC-024



## Inset above counter basin, rectangular

This contemporary inset basin has generous capacity with a low above counter profile and most of the basin sitting below the benchtop. The wide rim enables this inset basin to be used with a variety of benchtop materials.

ORDER CODE SBC-024 1 taphole  
 SBC-024-0T no taphole  
 SBC-024-3T 3 tapholes

TAPHOLE 0, 1 or 3 tapholes.

WASTE Suits standard 32 mm waste with overflow (not supplied).

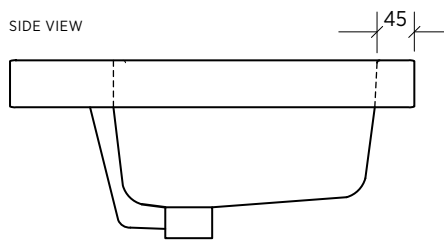
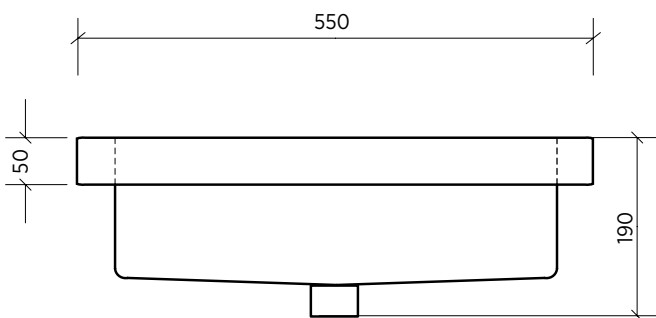
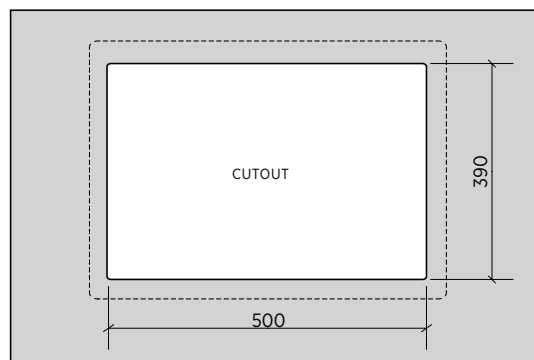
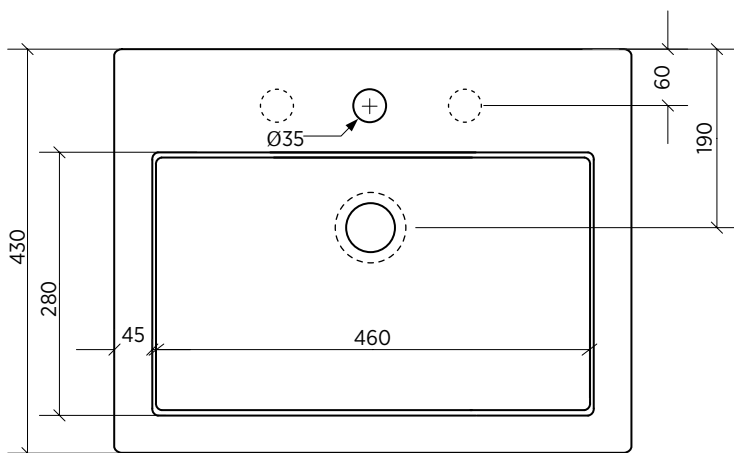
OVERFLOW Standard with overflow.

MATERIAL White vitreous china.

COLOUR White.

FIXING Always use the actual basin to verify cutout.

Use acetic cured silicone sealant. Do not use epoxy type adhesives.



 Basin has integrated overflow

**SEIMA**  
 bathroom | kitchen | laundry

seima.com.au

### Please note

- All measurements are in millimetres.
- Dimensions are nominal and subject to normal ceramic manufacturing variations of ±5mm.
- Fixing: Use acetic cured silicone sealant. Do not use epoxy type adhesives.
- Always use the actual basin to verify cutout.
- Specifications may vary without notice as part of our continuous improvement practices.
- Clean with a damp cloth. Do not use abrasive cleaners, liquids or pastes.

DS-SBC-024 | v 2.0