



Floor mount toilet suite Clean Flush, Nanoglaze, Easy care height

Sleek style and efficient performance in a premium space-saving toilet system with hidden cistern and pneumatic flush.

Pan - details:

- Stylish minimalist design, sits flat against wall
- Clean Flush rimless pan design for an efficient, powerful flush
- White vitreous china with nanoglaze surface, easy to clean
- Easy care height - pan height 430 mm
- Quick release seat with stainless steel pins
- Soft closing seat
- Setout range 90-120
- Suitable for S or P trap

In-wall cistern - details:

- Hidden cistern activated through a premium pneumatic system connected to the flush plate buttons
- Fully insulated with anti-condensation foam to prevent moisture escape
- Easy to install and service through the flush plate
- WELS 4 star 4.5/3L water saving flush

ORDER CODE **INWALL TOILET SUITE — includes pan, seat and standard in-wall cistern (C100)**

- STO-307-11 Pan with Slim seat (UF) and C100 cistern
- STO-307-12 Pan with Deluxe seat (UF) and C100 cistern
- STO-307-10 Classic seat (PP) and C100 cistern

Note: Undercounter cistern is available on request.

PAN AND SEAT ONLY

- STO-307-01 Pan with Slim seat (UF)
- STO-307-02 Pan with Deluxe seat (UF)
- STO-307-00 Pan with Classic seat (PP)

BUTTONS Order flush buttons separately. Select from the full range of Seima flush buttons.

- PAN** Wall faced with rimless Clean Flush pan design.
- MATERIAL** White vitreous china.
- TRAPS** Universal trap, suitable for S or P trap installations.
- SEAT** Quick release seat with stainless steel hinges, soft closing.
- SETOUT** Variable 90-120 mm using supplied connector.
- FIXING** Pan may be bedded with cement base or using silicone sealant.

Toilet seat options



Slim (20mm lid)



Deluxe (40mm lid)



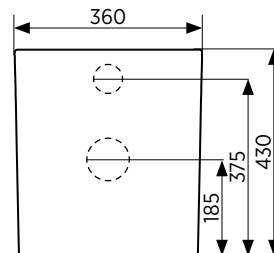
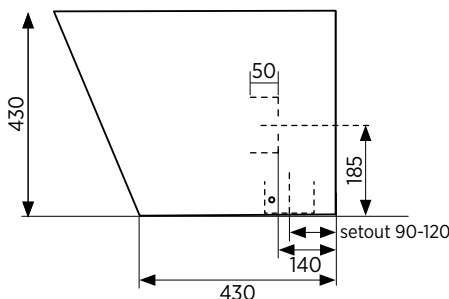
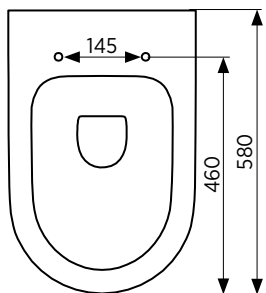
Classic (40mm lid)

Slim and Deluxe seats (UF)

- Thermoset (UF), premium quality
- Easy to clean, anti-scratch
- Rigid, ceramic-like finish

Classic seat (PP)

- Thermoplastic (PP)
- Lightweight, durable
- Gloss finish, easy to clean



Rimless Clean Flush pan design - for an efficient, powerful flush

Nanoglaze surface - ultra-smooth and anti-bacterial, easy to clean

Easy care pan height - making it easier to get on and off the seat

SEIMA

bathroom | kitchen | laundry

Please note

- Installation shall be in accordance with AS/NZS3500.
- All measurements are in millimetres. Height dimensions are to base of pan. Make allowance for bedding.
- Bedding: Fix pan to floor using a sand cement mixture of 3:1 to a depth of 60mm. Do not use lime or fast-drying cement.
- Bracket fixing: The pan should be bedded with an acetic cured silicone sealant and fixed with the brackets supplied.
- Dimensions are nominal and subject to normal ceramic manufacturing variations.
- Specifications may vary without notice as part of our continuous improvement practices.
- Clean with a damp cloth. Do not use abrasive cleaners, liquids or pastes.

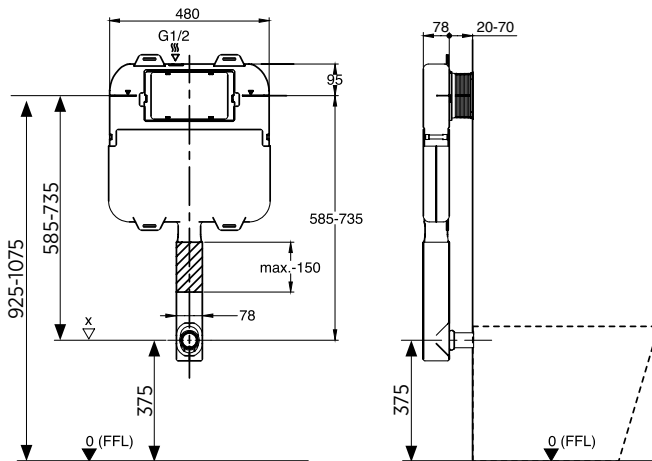
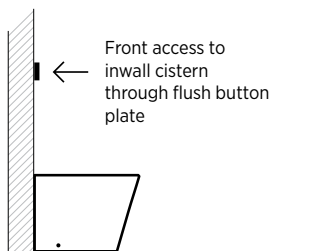
STO-307 PAN + SLIM CISTERN **STO-C100** (installation TYPE A)

A

INSTALLATION TYPE A

Cistern code: STO-C100

Floor mount pan + Slim cistern



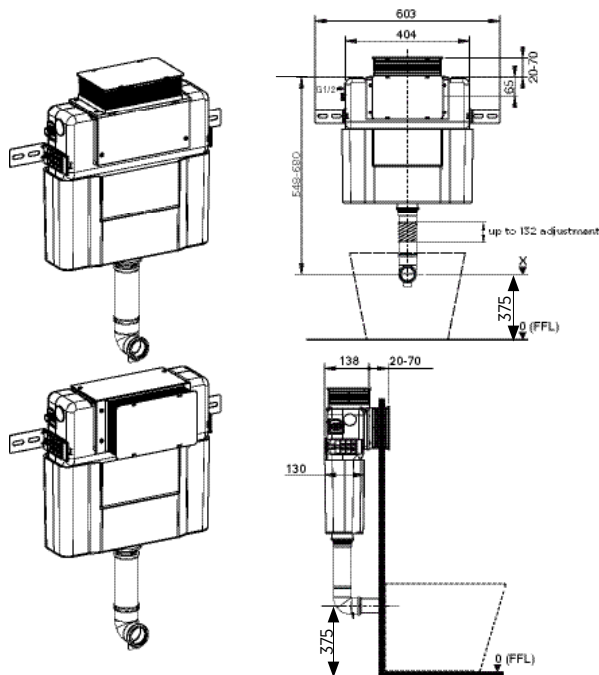
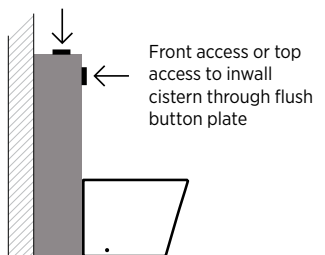
STO-307 PAN + UNDERCOUNTER CISTERN **STO-C101** (installation TYPE C)

C

INSTALLATION TYPE C

Cistern code: STO-C101

Floor mount pan + Undercounter cistern



SEIMA

bathroom | kitchen | laundry

seima.com.au

Please note

- Installation shall be in accordance with AS/NZS3500.
- All measurements are in millimetres. Height dimensions are to base of pan. Make allowance for bedding.
- Bedding: Fix pan to floor using a sand cement mixture of 3:1 to a depth of 60mm. Do not use lime or fast-drying cement.
- Bracket fixing: The pan should be bedded with an acetic cured silicone sealant and fixed with the brackets supplied.
- Dimensions are nominal and subject to normal ceramic manufacturing variations.
- Specifications may vary without notice as part of our continuous improvement practices.
- Clean with a damp cloth. Do not use abrasive cleaners, liquids or pastes.