

TYRIA

CERAMIC BASINS



TYRIA GREY TEXTURE



TYRIA SAND TEXTURE

Above counter ceramic basin, round, stone look

This voluptuous curves combined with the fine stone-like texture of the Tyria basin make it elegant and exceptional.

- Stone-look, dull finish, fine stone-like texture
- Made from vitreous china
- Classic bowl shape with beautiful proportions

ORDER CODE 191002 Tyria Grey Texture
191003 Tyria Sand Texture

TAPHOLE No taphole.

WASTE Suits 32 mm waste (not supplied).

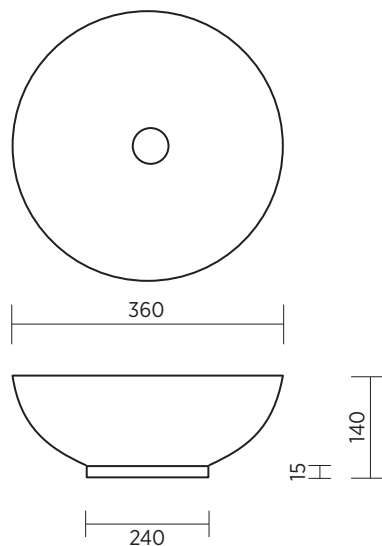
OVERFLOW No overflow.

MATERIAL Vitreous china.

FINISH The Grey and Sand Texture basins have a dull finish with a fine stone-like texture.

COLOUR Grey Texture (dull, soft greys), Sand Texture (sand colour)

FIXING Always use the actual basin to verify cutout. Use silicone sealant. Do not use epoxy type adhesives.



SEIMA

bathroom | kitchen | laundry

seima.com.au

Please note

- All measurements are in millimetres.
- Dimensions are nominal and subject to normal ceramic manufacturing variations of ± 5 mm.
- Fixing: Use silicone sealant. DO NOT USE EPOXY TYPE ADHESIVES.
- Always use the actual basin to verify cutout.
- Specifications may vary without notice as part of our continuous improvement practices.
- Clean with a damp cloth. Do not use abrasive cleaners, liquids or pastes.

tyria-ds | v 3.0