

NOW 240 mm DEEP

OROS 620


HIGH NATURAL
MINERAL CONTENT


NON-POROUS
STAIN RESISTANT


RESISTANT TO HIGH
TEMPERATURES


SCRATCH AND
IMPACT RESISTANT


HYGIENIC
EASY TO CLEAN

ARQSTONE SINK



Arqstone — engineered stone — strong, durable, natural

Arqstone sinks, made in Europe from natural quartz, are extremely tough and resistant to high temperatures, scratching and stains. The high density stone surface is easy to clean and the smooth finish ensures a high level of hygiene.

- Square lines, smooth finish, made from pure natural quartz aggregate
- Designed for abovement installation, can be undermounted
- Exceptionally strong and durable
- Deep, large capacity bowl, easy to clean corners, 10mm radii
- Stainless steel basket waste

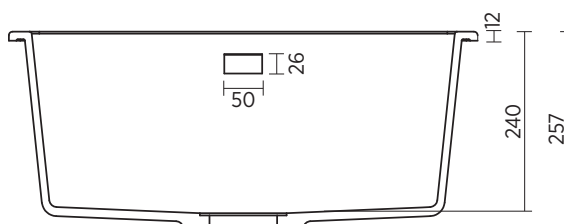
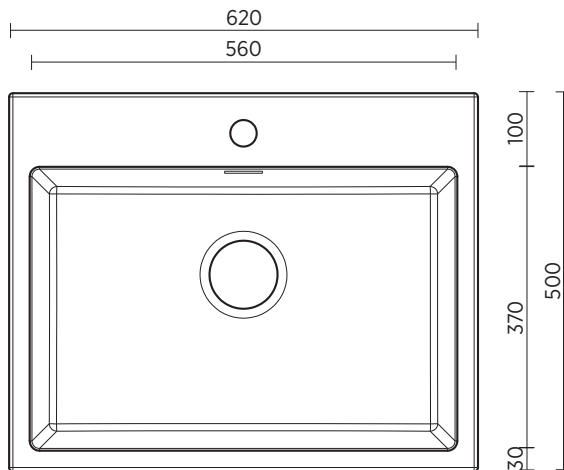
Order codes	TAPHOLES	WHITE	BLACK
Oros 620 (240 deep)	1 taphole	191984	191987
Oros 620 (240 deep)	3 tapholes	191985	191988
Oros 620 (240 deep)	No taphole	191986	191989

Product details

COLOURS	Available in Arqstone white and black
TAPHOLES	0, 1 or 3 tapholes
OVERFLOW	Integrated overflow
WASTE	90 mm stainless steel basket waste
BOWL SIZE	560 x 370 mm, 240 mm deep, rim 30 mm



ARQSTONE WHITE



ARQSTONE BLACK

NOW 240 MM DEEP

Find out more about Seima Arqstone



Stone sinks - Dimensions are subject to normal manufacturing variations of ±3mm.  Sink has integrated overflow

SEIMA

bathroom | kitchen | laundry

seima.com.au

Please note

- All measurements are in millimetres.
- Always use the actual product to verify cutout.
- Use silicone sealant. DO NOT USE EPOXY TYPE ADHESIVES.
- Specifications may vary without notice as part of our continuous improvement practices.

oros-620-ds | v 3.0