

MODIA CARE FLOOR MOUNT



CERAMIC IN-WALL TOILET SUITE

AS1428.1 ACCESSIBLE



Optional backrest (stainless steel)



Flush Plate 300 — raised flush buttons

Care FM toilet suite — Clean Flush, Easy Care Height Choice of blue or white seat

- Stylish minimalist design, sits flat against wall
- Clean Flush rimless pan design for an efficient, powerful flush
- Easy care height, pan height 440 mm
- White vitreous china
- Care toilet seat, soft closing, quick-release for easy removal and cleaning
- Optional stainless steel backrest
- S or P trap

Order codes

Order each item separately.

PAN AND SEAT
191967 Modia Care FM pan with BLUE seat
191968 Modia Care FM pan with WHITE seat

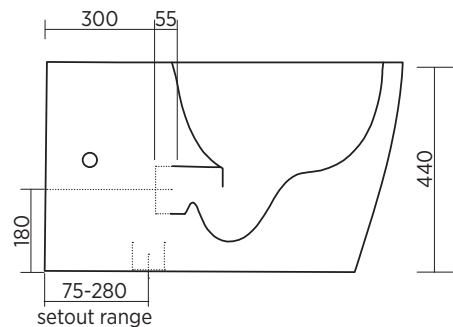
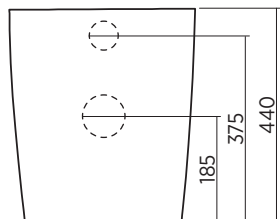
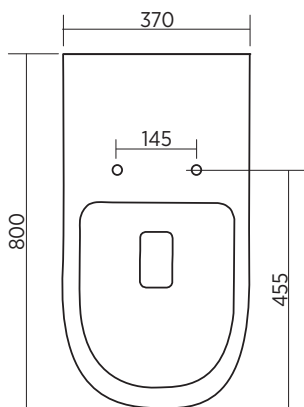
IN-WALL CISTERN
191806 C100 inwall cistern, 80 mm thick (suits FM, standard wall installn)
191807 C101 inwall cistern, 130 mm thick (suits FM, nib wall installation)

RAISED FLUSH BUTTONS
191798 Flush Plate 300 — raised buttons, chrome plated metal

BACKREST
191971 Backrest to suit Modia Care toilets, stainless steel

Product details

PAN Wall faced with rimless pan design.
MATERIAL White vitreous china.
TRAPS Universal trap, suitable for S or P trap installations.
SEAT Care toilet seat. Quick release seat with stainless steel hinges, soft closing.
BACKREST Optional backrest: 32 mm stainless steel, 304 grade, brushed finish, AS1428 compliant.
WELS 4 star rating 4.5/3 litre water saving flush.
SETOUT Variable 75-280 mm.
FIXING Pan may be bedded with cement base or using silicone sealant.
CISTERN Order cistern to suit installation type. Floor mount pan suits in-wall cisterns C100 and C101.
BUTTONS Recommended: Flush Plate 300, raised flush buttons, chrome.



Rimless Clean Flush pan – for an efficient, powerful flush.

Easy care height – making it easier to get on and off the seat.

SEIMA

bathroom | kitchen | laundry

seima.com.au

Please note

- Installation shall be in accordance with AS/NZS3500.
- All measurements are in millimetres. Height dimensions are to base of pan. Make allowance for bedding.
- Bedding: Pan may be bedded with cement base or using silicone sealant. Fix pan to floor using a sand cement mixture of 3:1 to a depth of 60mm. Do not use lime or fast-drying cement.
- Bracket fixing: The pan should be bedded with silicone sealant and fixed with the brackets supplied. Do NOT use epoxy type adhesives.
- Dimensions are nominal and subject to normal ceramic manufacturing variations.
- Specifications may vary without notice as part of our continuous improvement practices.
- Clean with a damp cloth. Do not use abrasive cleaners, liquids or pastes.

modia-care-fm-ds | v5.0